



ITEM #: \_\_\_\_\_ QTY: \_\_\_\_\_  
 MODEL #: \_\_\_\_\_  
 PROJECT NAME: \_\_\_\_\_

063017

3601 S. Banker St. Effingham, IL 62401 • P.O. BOX 609 • Ph: (888) 431-2667 • Fax: (800) 433-2667

## **"BMS" MICROWAVE SHELVES - STAINLESS STEEL**



### **FEATURES:**

- TYPE 300 STAINLESS STEEL W/ #4 POLISH, SATIN FINISH
- FINISHED W/ A SAFETY STALLION FRONT EDGE W/ RAISED LIP
- MOVES YOUR MICROWAVE UP TO A CONVENIENT EYE LEVEL
- FREES UP VALUABLE COUNTER WORK SPACE
- CONSTRUCTED SPECIFICALLY TO EASILY HOLD ALL POPULAR SIZE MICROWAVES
- ELECTRIC CORD CUT-OUT WITH RUBBER GROMMET
- SHIPS UPS
- ALL MODELS ARE NSF CERTIFIED

### **CONSTRUCTION:**

- STAINLESS STEEL SHELVES ARE TIG WELDED
- EXPOSED WELDS ARE POLISHED TO MATCH ADJACENT SURFACE

### **MATERIAL:**

- SHELF: 16 GAUGE TYPE 300 STAINLESS STEEL W/ #4 POLISH, SATIN FINISH

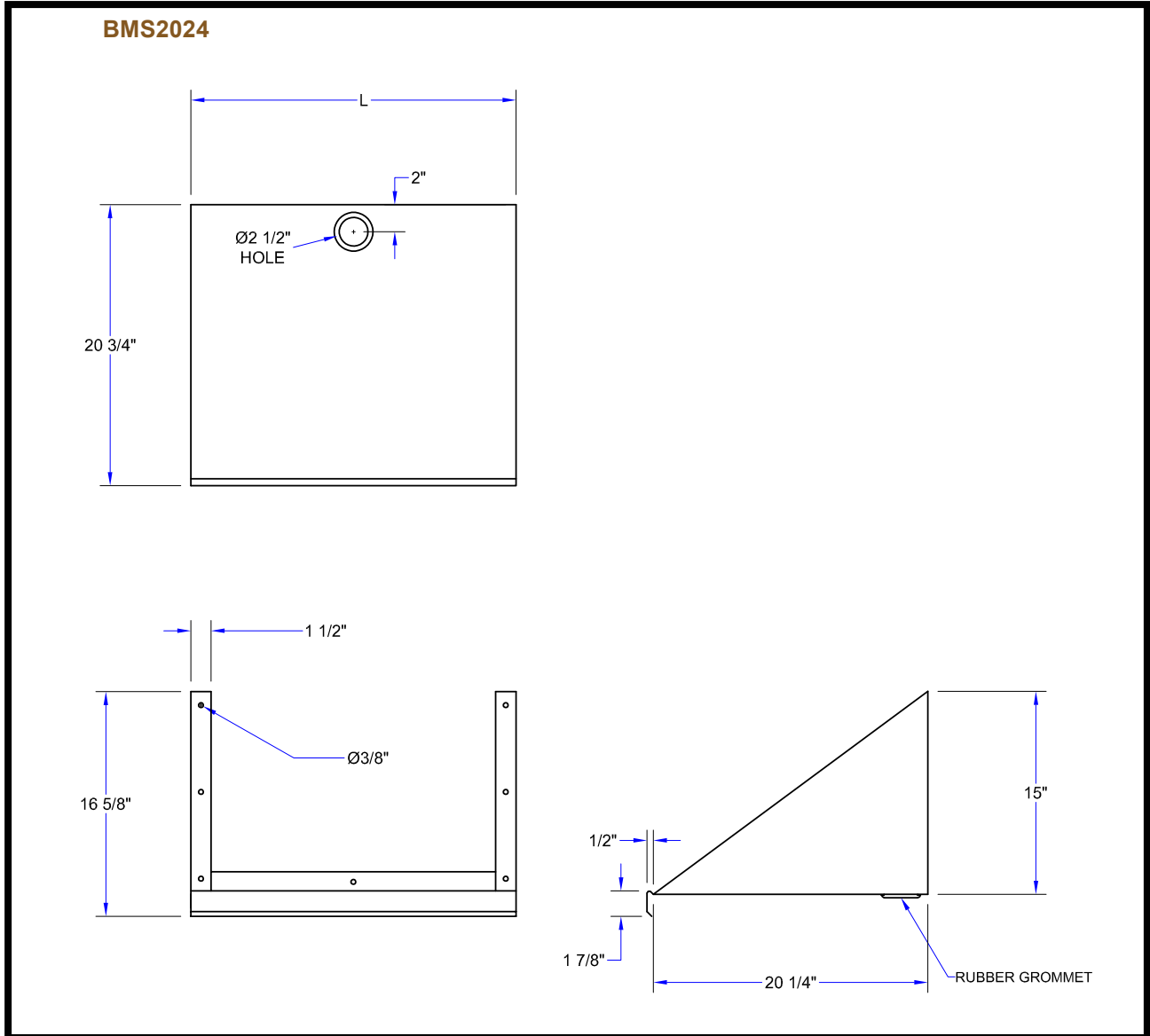


ELECTRIC CORD CUT-OUT WITH RUBBER GROMMET

### **TYPE 300 STAINLESS STEEL MICROWAVE SHELF**

SIZES	MODEL	QTY
20" X 24"	BMS2024	
20" X 30"	BMS2030	

# DETAILED SPECIFICATIONS



## TYPE 300 STAINLESS STEEL MICROWAVE SHELF

MODEL	SIZE	WT. (LBS)
BMS2024	20" X 24"	30
BMS2030	20" X 30"	39

SOME UNITS SHIP UNASSEMBLED FOR REDUCED SHIPPING COST. ALL DIMENSIONS ARE TYPICAL. TOLERANCE +/- .500"  
 John Boos & Co. is constantly engaged in a program of improving products and therefore reserves the right to change specifications without prior notice.

